

Curaflex® A/M

NON-PRESSING WATER

- Sealing of duct systems
- Installation in **pre-installed pipe sleeve** or **core bore in waterproof concrete** (white tank)
- For **multiple pipes and cables**



DOYMA
GRIP



RADON TIGHT
IAF GmbH

25
years
guarantee

PRODUCT ADVANTAGES

- Permanently sealed – no need to re-tension later (maintenance-free)
- Greater sealing performance of the gasket insert thanks to DOYMA-Grip
- System component, without cuts or divisions, with watertight welded bolts

TECHNICAL DETAILS

- Certified under FHRK test regulation GE 101 (no. G 30 322-2-1) – FHRK 27 D01
- Gas and watertight
- Bending of medium pipes up to 8° is possible
- Can accommodate axial movements
- Single sealing

THE GASKET INSERT CONSISTS OF:

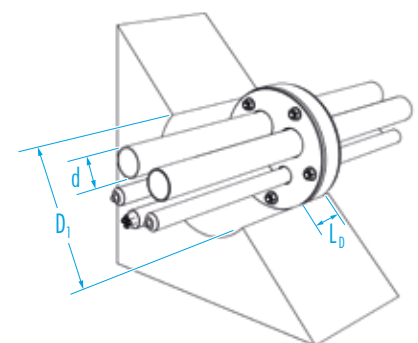
- **Frame rings:** steel rings, GGW triple corrosion protection coating; optionally made of stainless steel 1.4301 (V2A) or 1.4571 / 1.4404 (V4A)
- **Rubber seal:** elastomer, 27 mm thick EPDM seal (DOYMA-Grip), optional EPDM-TW, NBR (fuel/oil-resistant) or silicone (high temperature-resistant) or FPM (chemical-resistant)



ACCESSORIES (OPTIONAL)*

- Aquagard core bore sealant

* see corresponding section



Curaflex® A/M

Outer diameter of pipe/cable* d [mm]	Number of pipes and cables	Inner diameter of pipe sleeve / core bore D _i [DN in m]
1 – 14	1 – 2	50 (49 – 53)
1 – 26	1 – 2	80 (79 – 83)
1 – 23	1 – 3	
1 – 24	1 – 4	
1 – 16	1 – 7	
1 x 4 – 32 / 1 x 1 – 14	1 – 2	
4 x 4 – 28 / 1 x 1 – 12	1 – 5	
1 – 21	1 – 7	100 (99 – 104)
4 – 37	1 – 2	
4 – 33	1 – 3	
1 x 4 – 46 / 1 x 1 – 16	1 – 2	
4 – 36	1 – 4	125 (124 – 128)
2 x 4 – 34 / 2 x 4 – 42	1 – 4	
4 – 28	1 – 7	
4 – 41	1 – 3	
2 x 23 – 51 / 2 x 8 – 36	1 – 4	150 (149 – 153)
2 x 30 – 58 / 2 x 13 – 41	1 – 4	
4 x 22 – 50 / 1 x 4 – 16	1 – 5	
1 – 20	1 – 13	
6 x 8 – 36 / 2 x 4 – 16	1 – 8	
43 – 71	1 – 3	
5 x 23 – 51 / 1 x 4 – 31	1 – 6	
2 x 28 – 56 / 2 x 54 – 82	1 – 4	
40 – 69	1 – 4	
4 – 36	1 – 10	
4 – 26	1 – 15	
8 x 13 – 41 / 4 x 4 – 30	1 – 12	
4 – 26	1 – 20	250 (247 – 253)
12 – 40	1 – 8	
10 x 16 – 44 / 5 x 4 – 36	1 – 15	
L ₀ (max. design length) [mm] 55		

*The precise outer diameter and number of pipes and cables must be specified in your order.
Further dimensions available upon request. No article numbers.