

Curaflex Nova[®] Uno/MS

NON-PRESSING WATER
PRESSING WATER

- Sealing of penetrations
- Use in **on-site pipe sleeve**
- or **waterproof concrete core bore** (white tank)
- With **additional shrink technology**
- Ideal for **flexible cable protection pipes**



PRODUCT ADVANTAGES

- With ITL system for optimal contact pressure – can also be installed with a cordless screwdriver
- No relevant mechanical forces are exerted on the pipe thanks to the shrink technology
- Ideal for corrugated pipes or medium voltage cables where no mechanical forces are allowed or able to be exerted on the pipe (thin-walled 'ribs' or similar)
- Easy assembly thanks to precise dimensions, large sealing areas
- Permanently sealed – no need to re-tension later (maintenance-free)
- Greater sealing performance of the gasket insert thanks to DOYMA-Grip

THE GASKET INSERT CONSISTS OF:

- Blue frame ring made of high-performance plastic
- Elastomer sealing ring, 40 mm wide, made of EPDM (DOYMA-Grip)
- Heat-shrink sleeving
- PEHD jacket pipe
- ITL nuts
- A4 stainless steel screws

TECHNICAL DETAILS

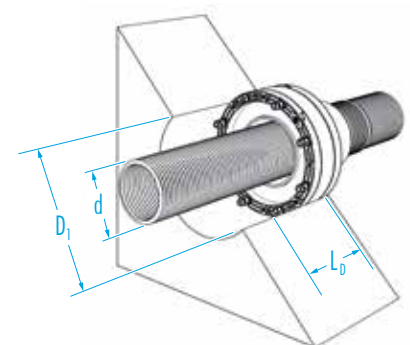
- Certified under FHRK test regulation GE 101 (no. G 30 322-2-5) (only valid for the Curaflex Nova Uno gasket insert in this case)
- Gas and water-tight
- With shrink technology



ACCESSORIES (OPTIONAL)*

- Aquagard core bore sealant
- Fixing tabs
- ITL nut set

* see corresponding section



Curaflex Nova® Uno/MS

Inner diameter of pipe sleeve/core bore D _i [DN in mm]	Outer diameter of pipe/cable d [mm]	Article number
100 (99–104)	20–39	1 88 3 032 100 4 0
	40–50	1 88 3 050 100 4 0
150 (149–153)	40–50	1 88 3 050 150 4 0
	51–95	1 88 3 090 150 4 0
200 (199–203)	64–95	1 88 3 090 200 4 0
	96–147	1 88 3 110 200 4 0
250 (249–253)	64–95	1 88 3 090 250 4 0
	96–150	1 88 3 110 250 4 0
300 (299–303)	90–150	1 88 3 110 300 4 0
	151–204	1 88 3 200 300 4 0

L₀ (max. design length) [mm]: 110